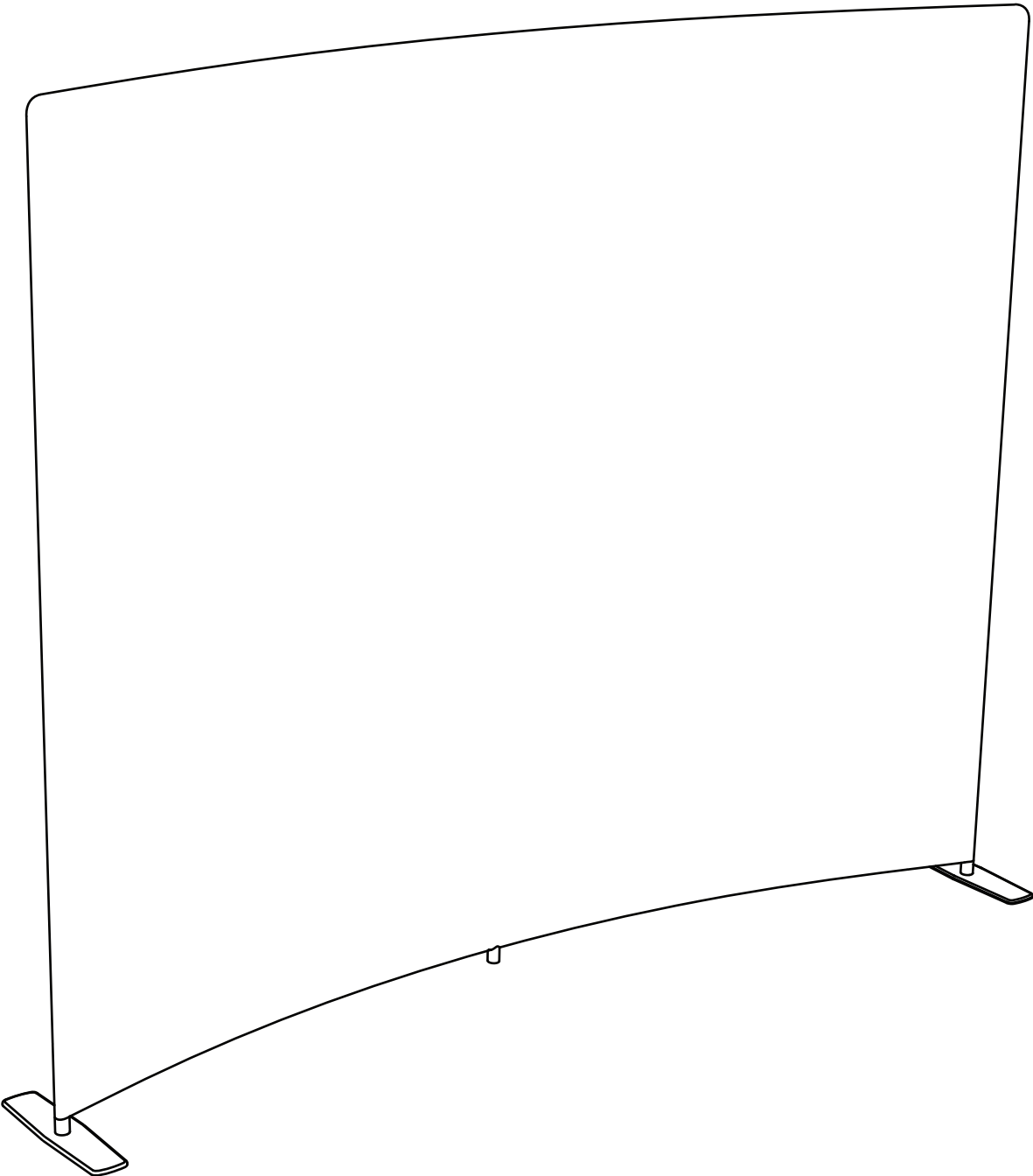
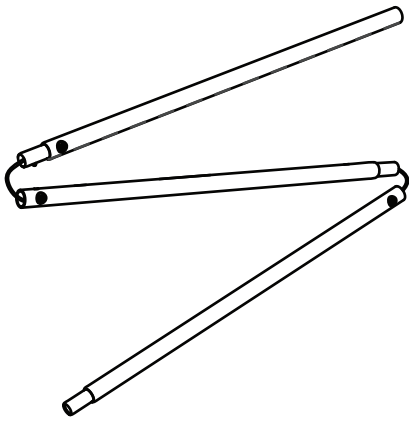


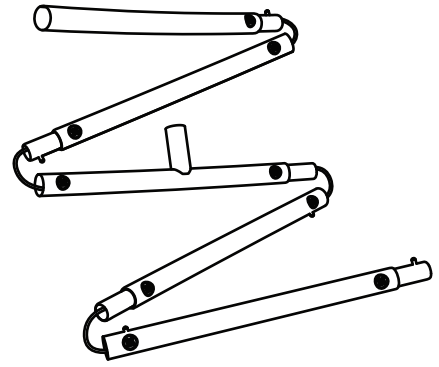
# Curved Zipper Wall

Mounting instruction

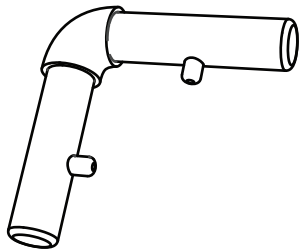




3 x Vertical poles



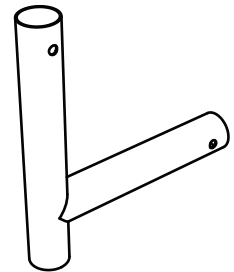
2 x Horizontal poles



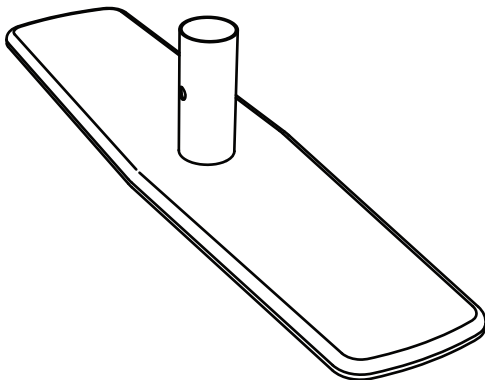
2 x Top corner connector



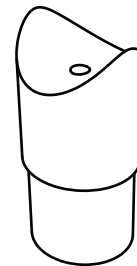
3 x Height Extenders 248mm (optional)



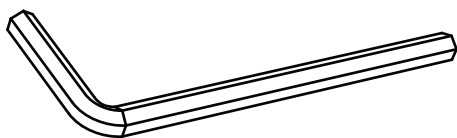
2 x Bottom corner connector



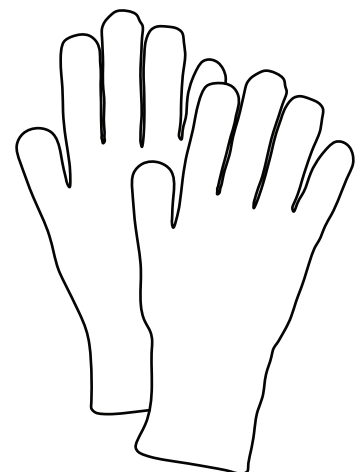
2 x Foot



1 x Center foot

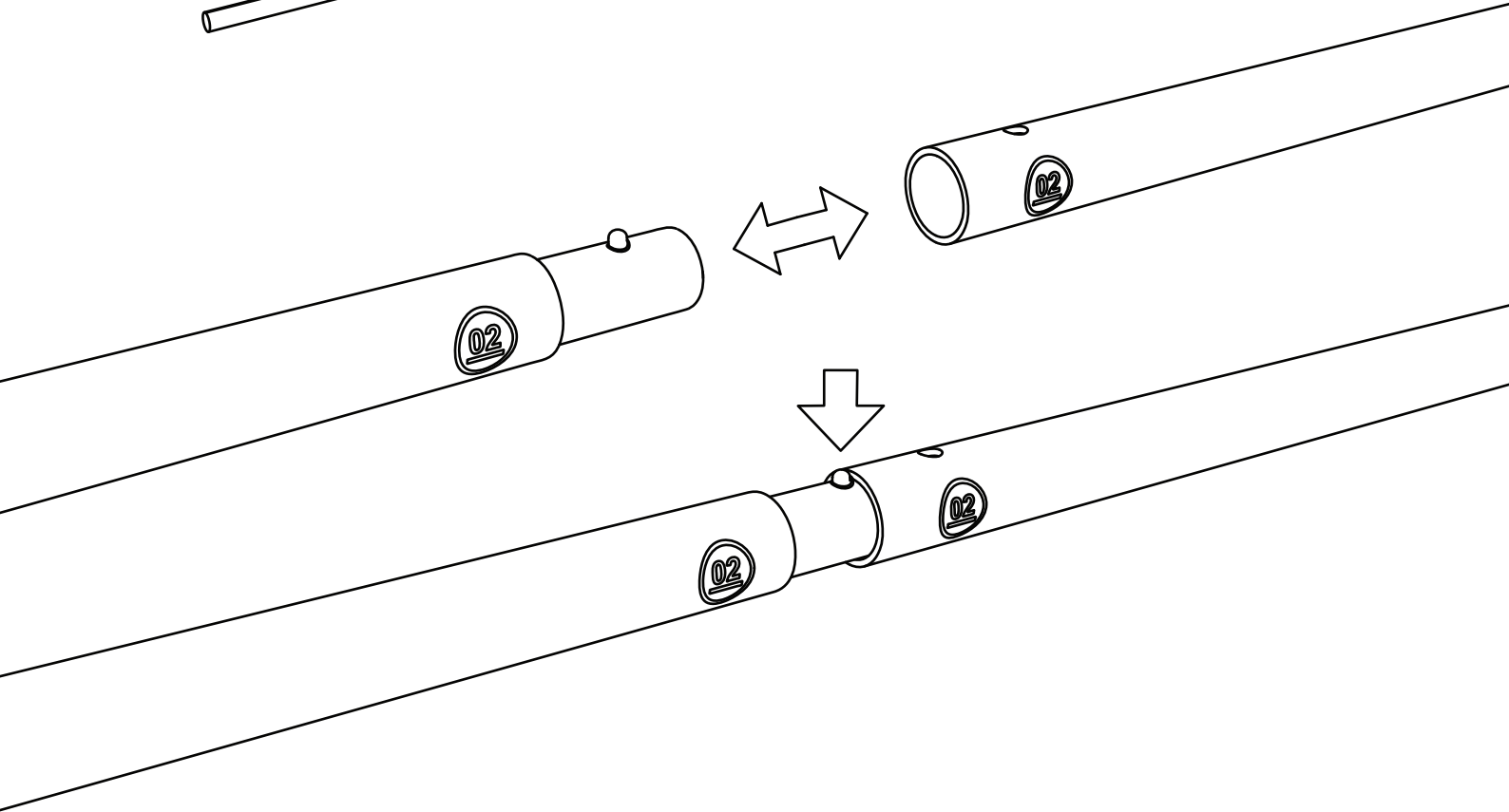
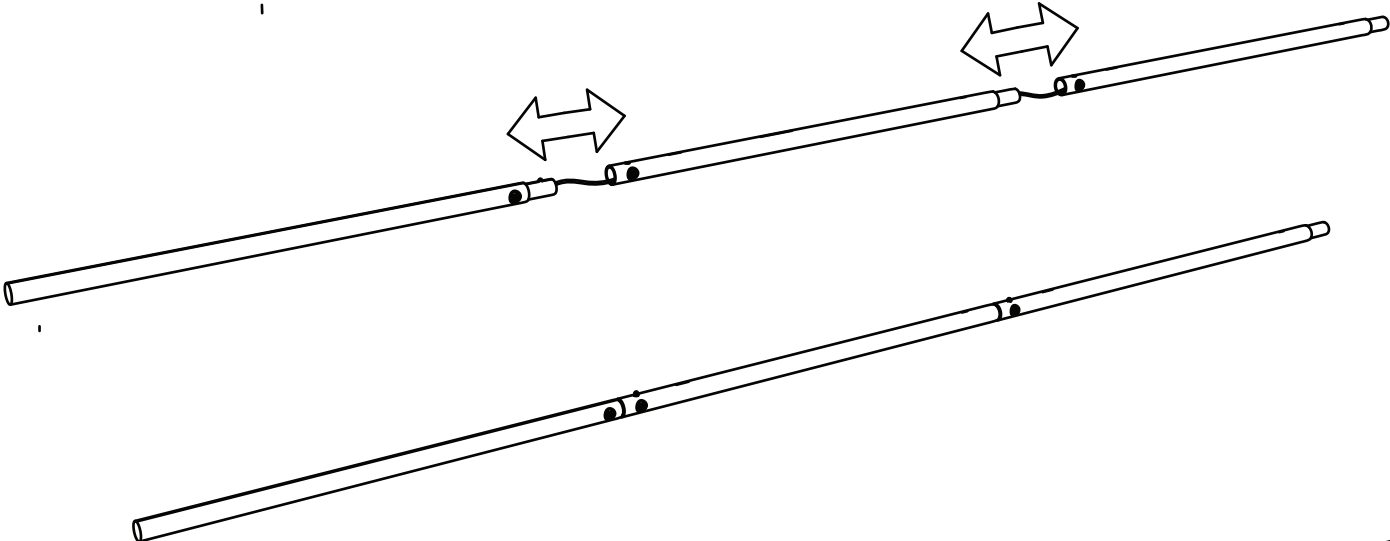
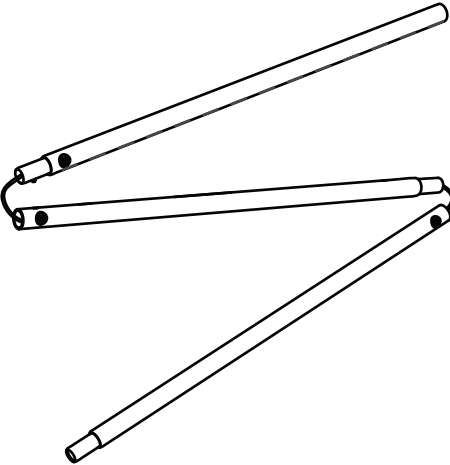


1 x Allen Key

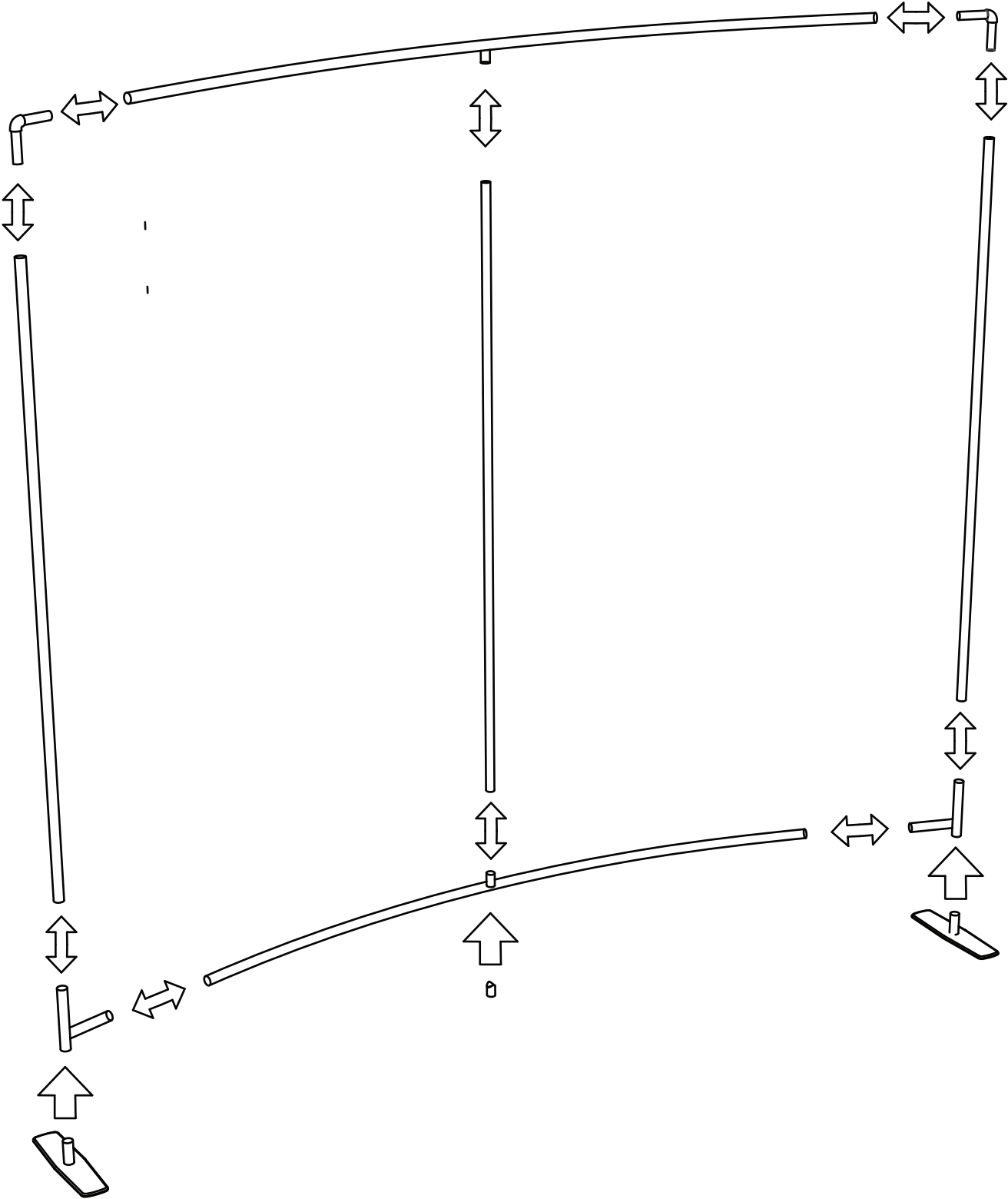


2 x Gloves

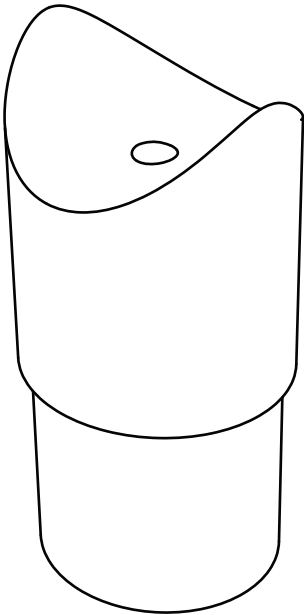
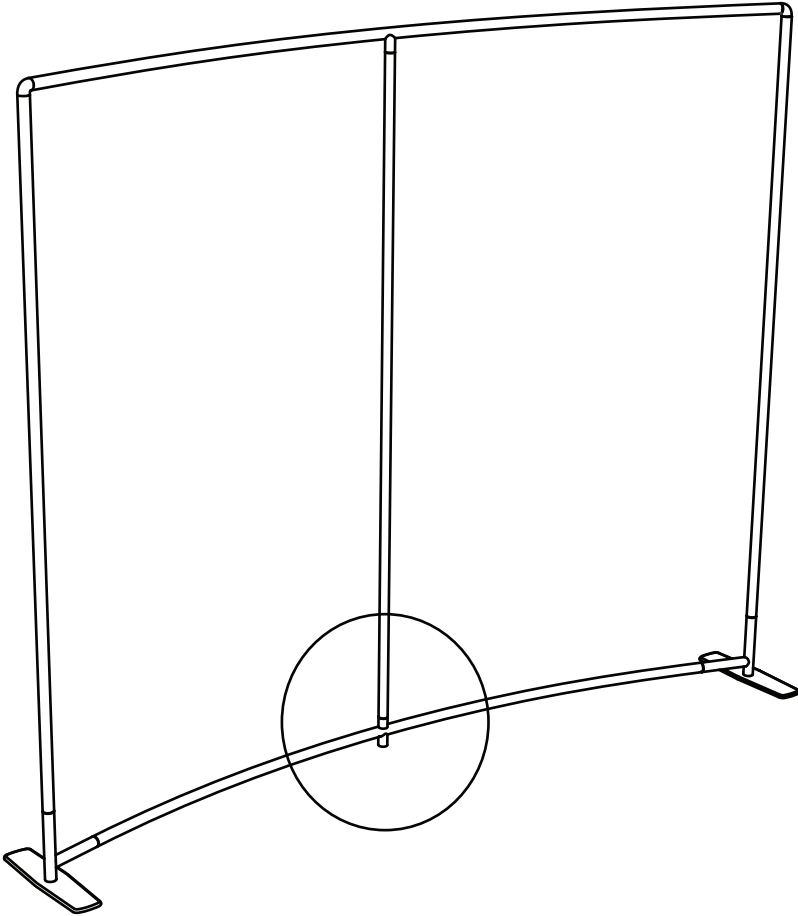
1



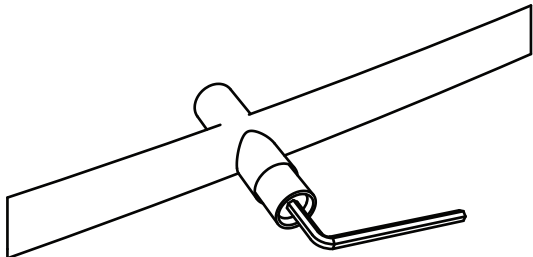
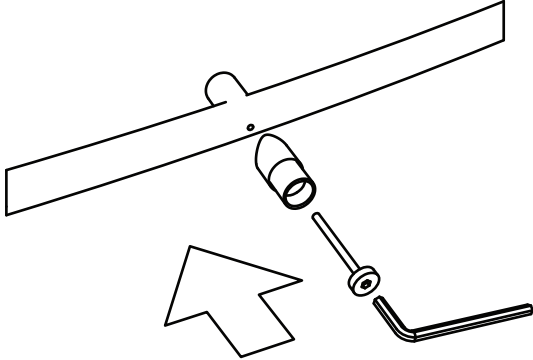
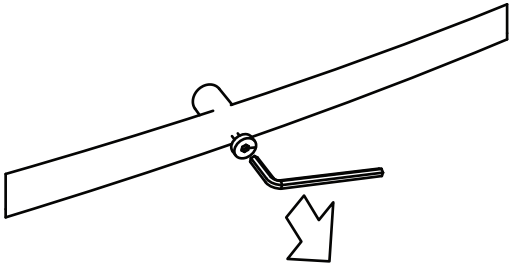
# 2



# 3



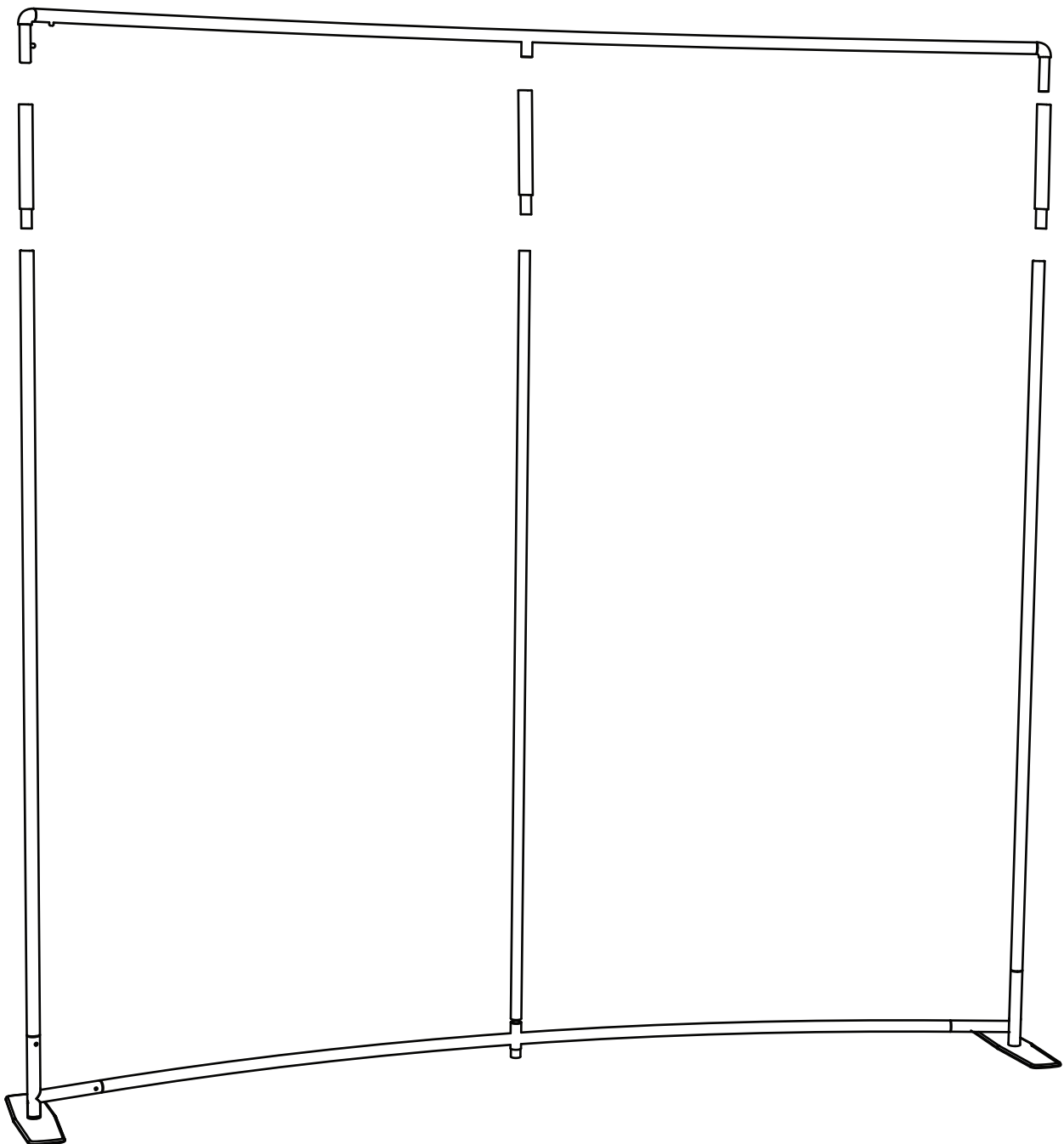
1 x Center foot



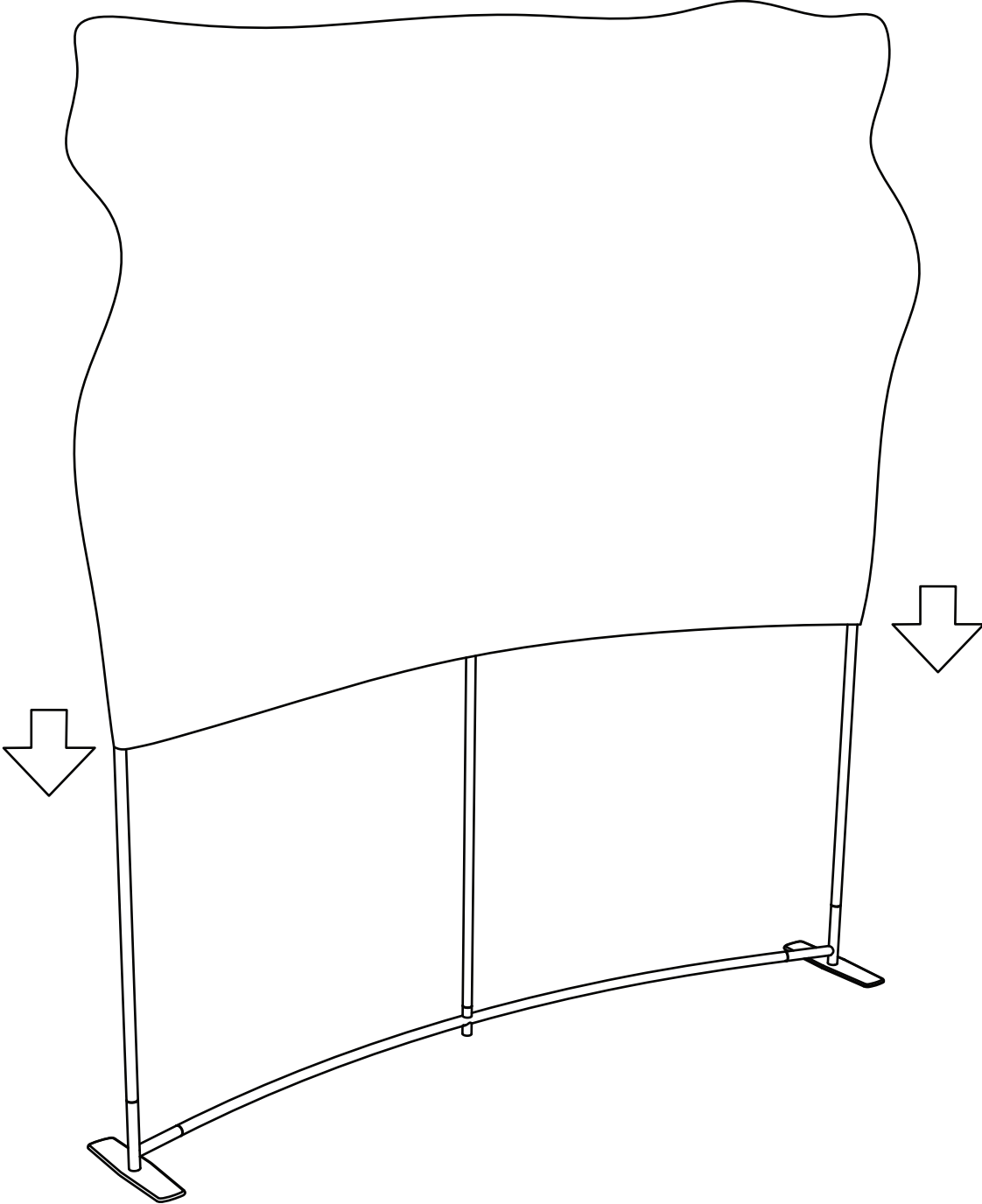
4



3 x Height Extenders 248mm  
(optional)



# 5



# 6

